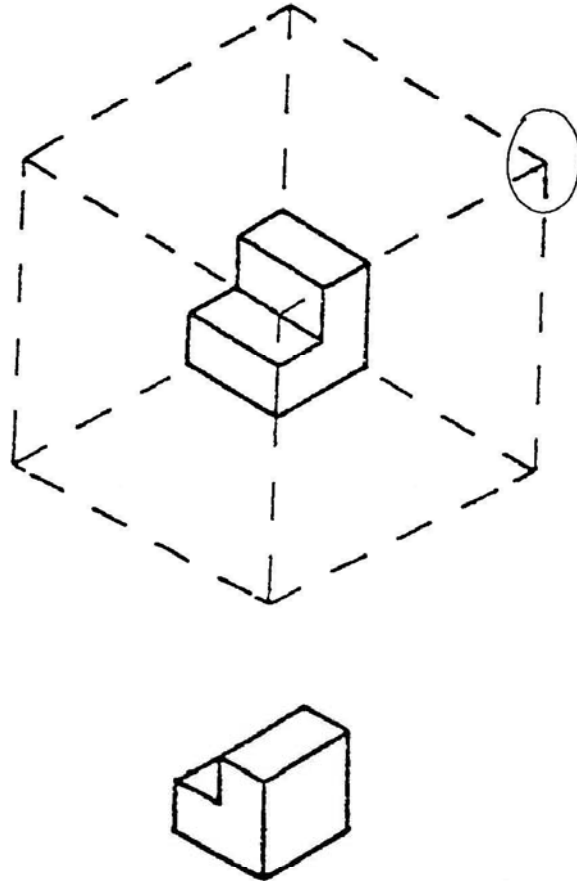


## Instruction for Guay's visualization of viewpoints

This test consists of 24 questions designed to see how well you can tell which viewing position a picture of a three-dimensional object was taken from. Shown below is an example of the type of question included in this test.



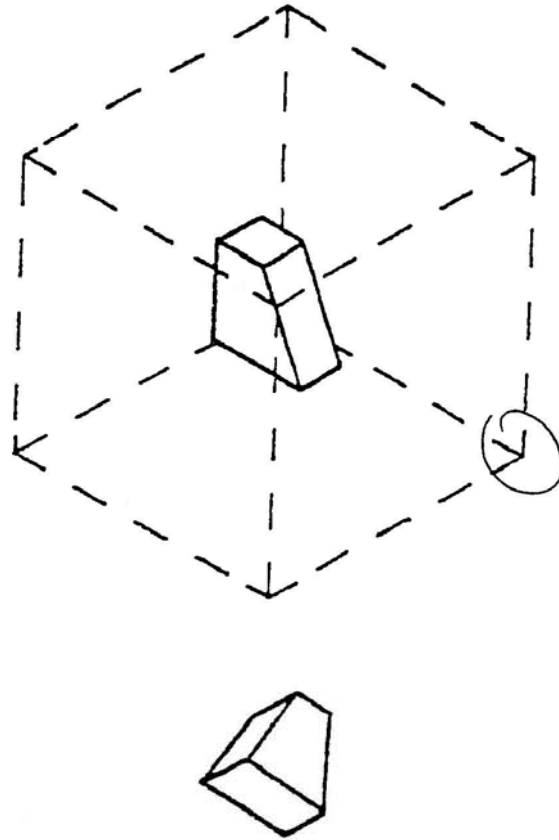
The example shows an object HOVERING IN THE MIDDLE of a "glass box." Below it there is a picture of the same object from a new viewing position. You are to

1. look at the picture of the object taken from the new viewing position;
2. imagine yourself moving around the "glass box" to find the corner from which this picture was taken
3. circle that corner

What is the correct answer to the example?

The correct answer is the upper right corner. Only from there you would have the view that is depicted. Remember that each question has only one correct answer.

Now look at the next example shown below and try to select the corner of the “glass box” from which the picture was taken. Remember that the object is located in the middle of the “glass box” and you are imagining yourself looking from different corners at the object.



The correct answer is the lower right corner.

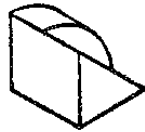
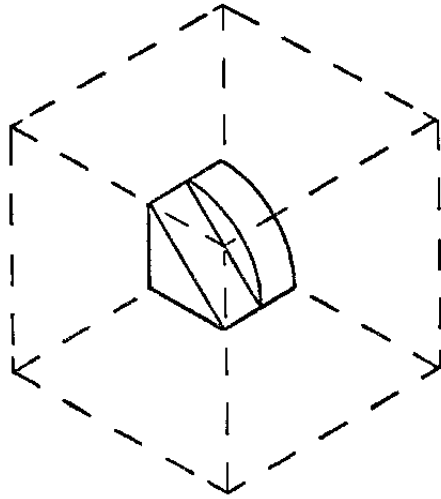
Show your answers by clearly circling **one** of the corners of the “glass box”.

Note: if you think that the picture was taken from the corner that is covered by the object, place your mark in the middle of the cube, to indicate the corner that is **behind** the object.

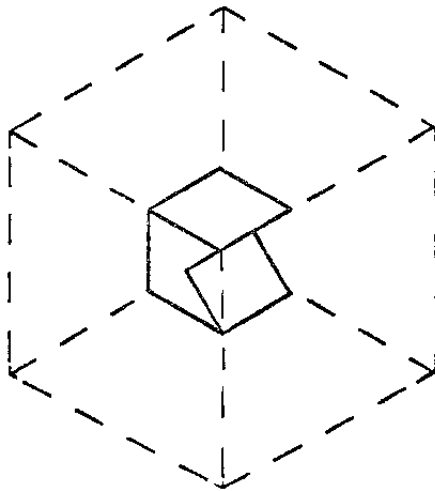
You will have 8 minutes to attempt as many items as possible.

**Are you ready?**

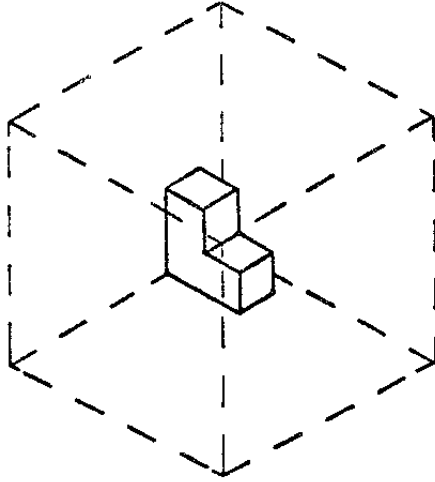
**1**



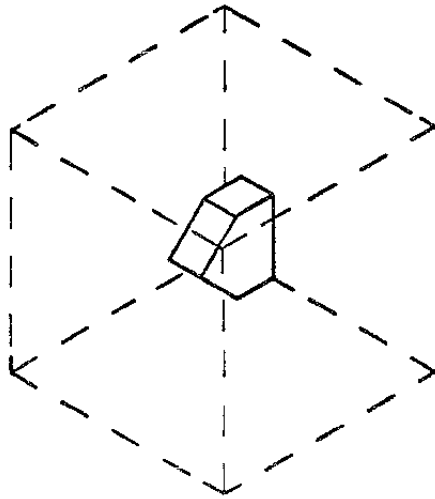
**2**



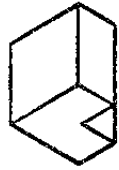
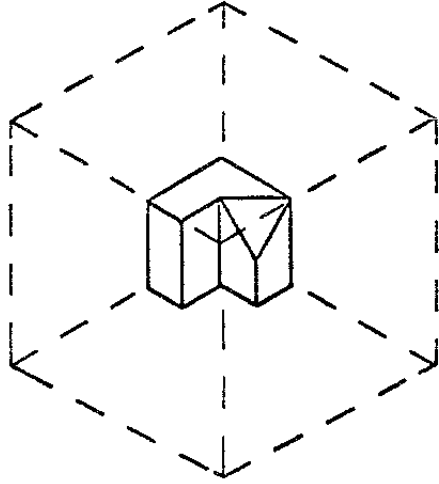
3



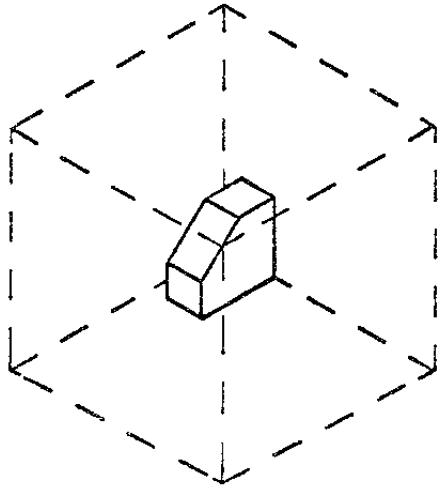
4



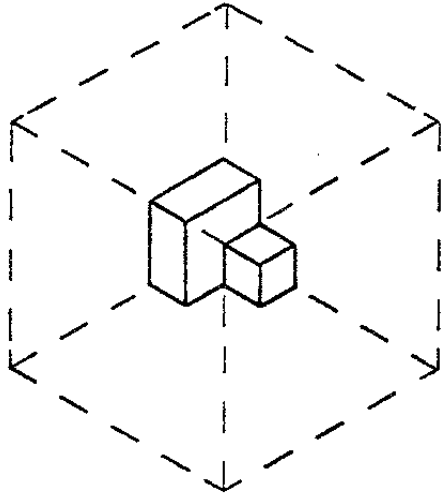
5



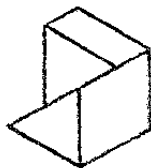
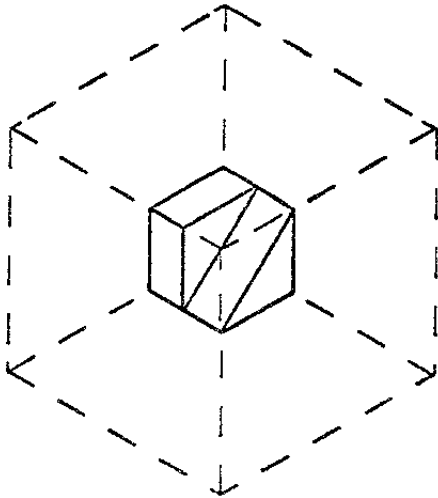
6



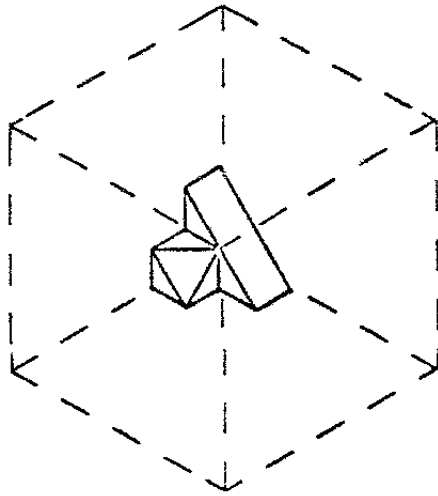
7



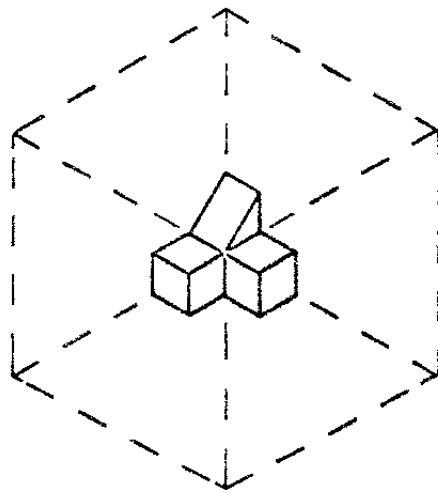
8



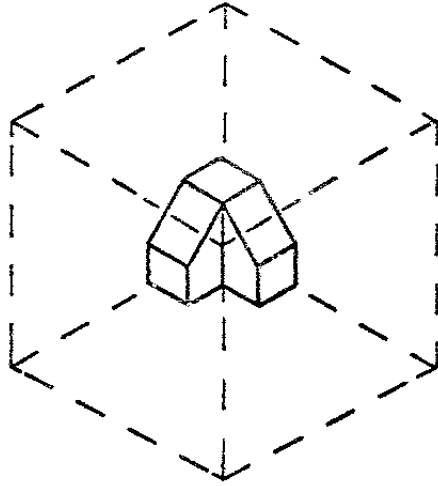
9



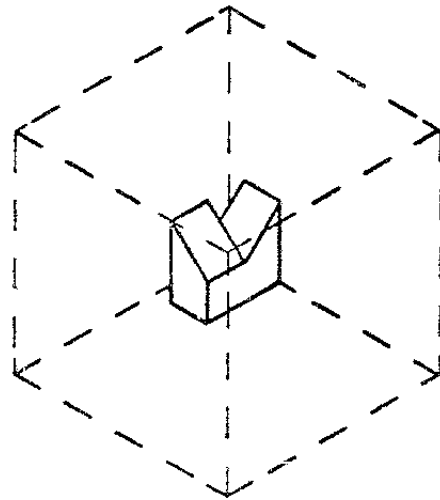
10



11

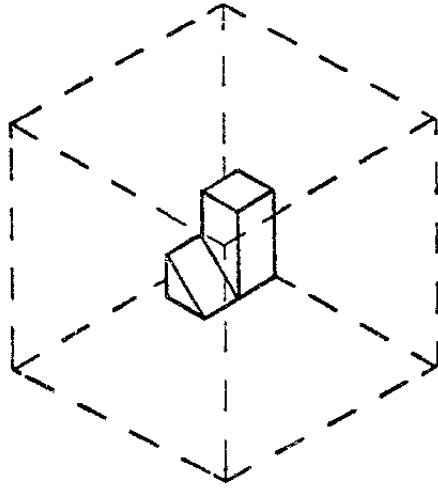


12

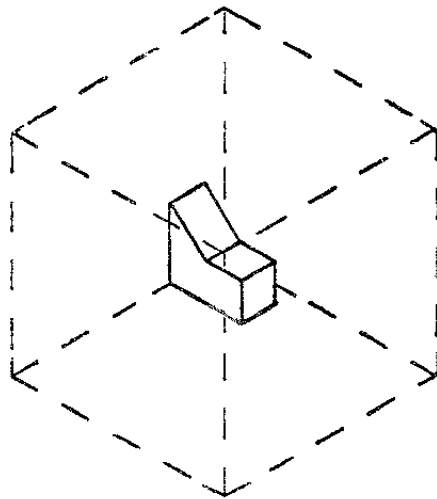




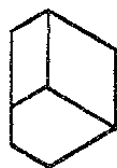
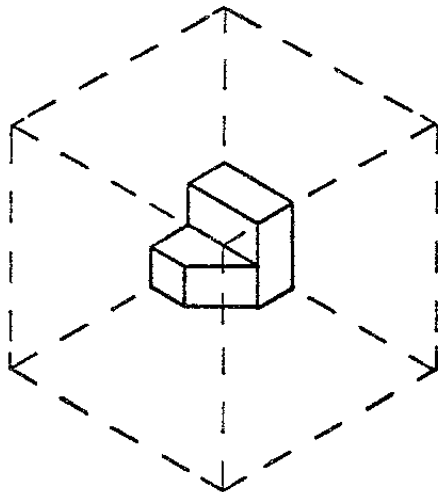
13



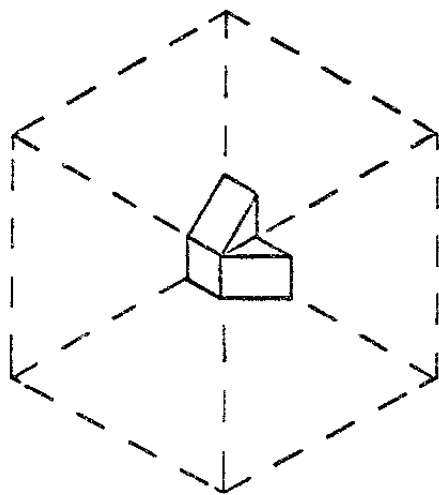
14



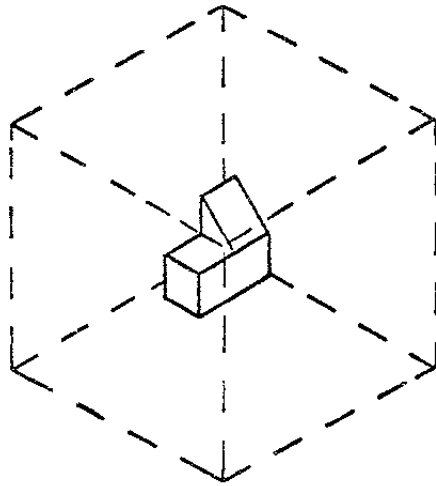
15



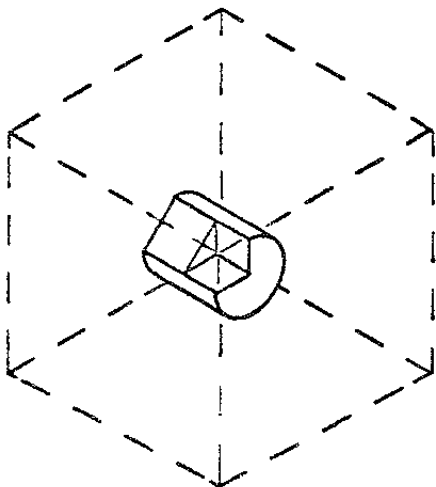
16



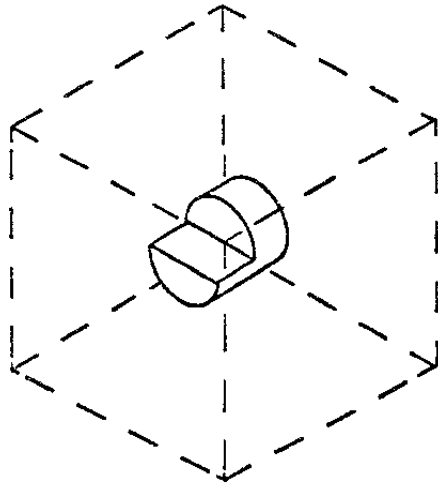
17



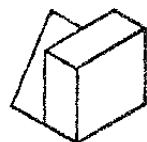
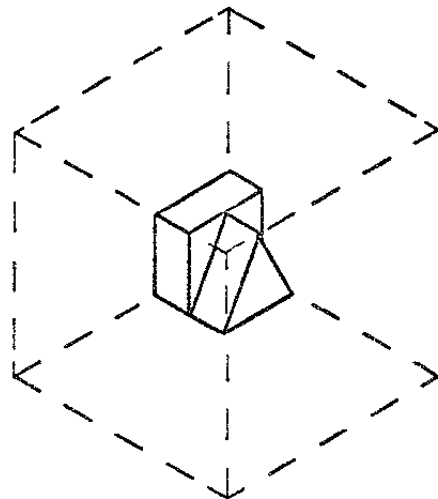
18



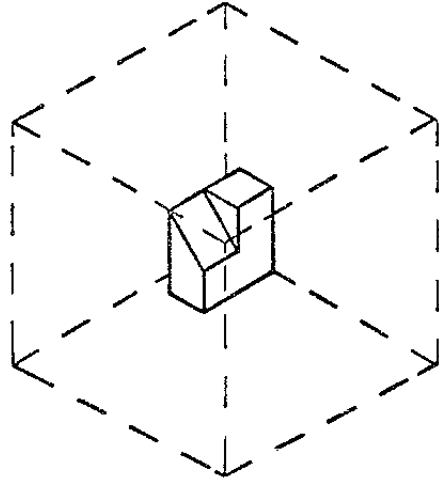
19



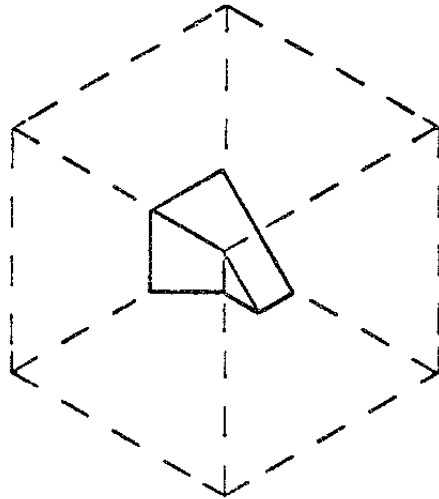
20



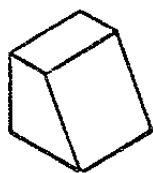
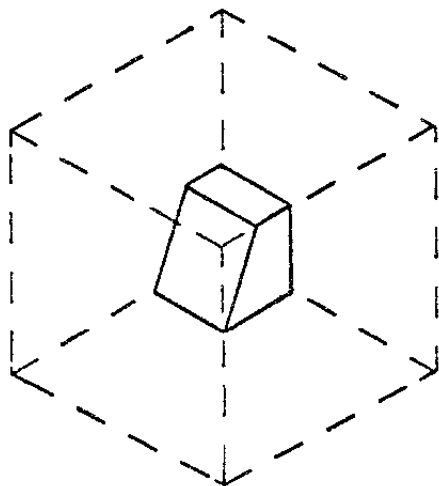
**21**



**22**



**23**



**24**

